



All Rights Reserved

Materials and specifications are subject to change without notice.  
Featured machines in photos may include additional equipment.  
See your XCMG dealer for available options.



# XE250E

## Hydraulic Excavator



[www.xcmg.com](http://www.xcmg.com)

**XCMG Regional Departments:**

Europe	(+86-516) 87739703 87739218 87739537	Africa	(+86-516) 87735009 87739222 87739283
West Asia & North Africa	(+86-516) 87739702 87739202 87739223	Central Asia	(+86-516) 87739236 87739239 87739538
Asia-Pacific	(+86-516) 87739128 87739500 87739529	America	(+86-516) 87739285 87739551 87739710

XUZHOU CONSTRUCTION MACHINERY GROUP IMP. & EXP. CO., LTD

Add: No.1, Tuolanshan Road, Xuzhou Economic Developing Zone, Jiangsu, China 221004

Fax: (+86-516) 87739230

E-mail: [export@xcmg.com](mailto:export@xcmg.com)



**Advanced Configuration**

**Ecological and economical**

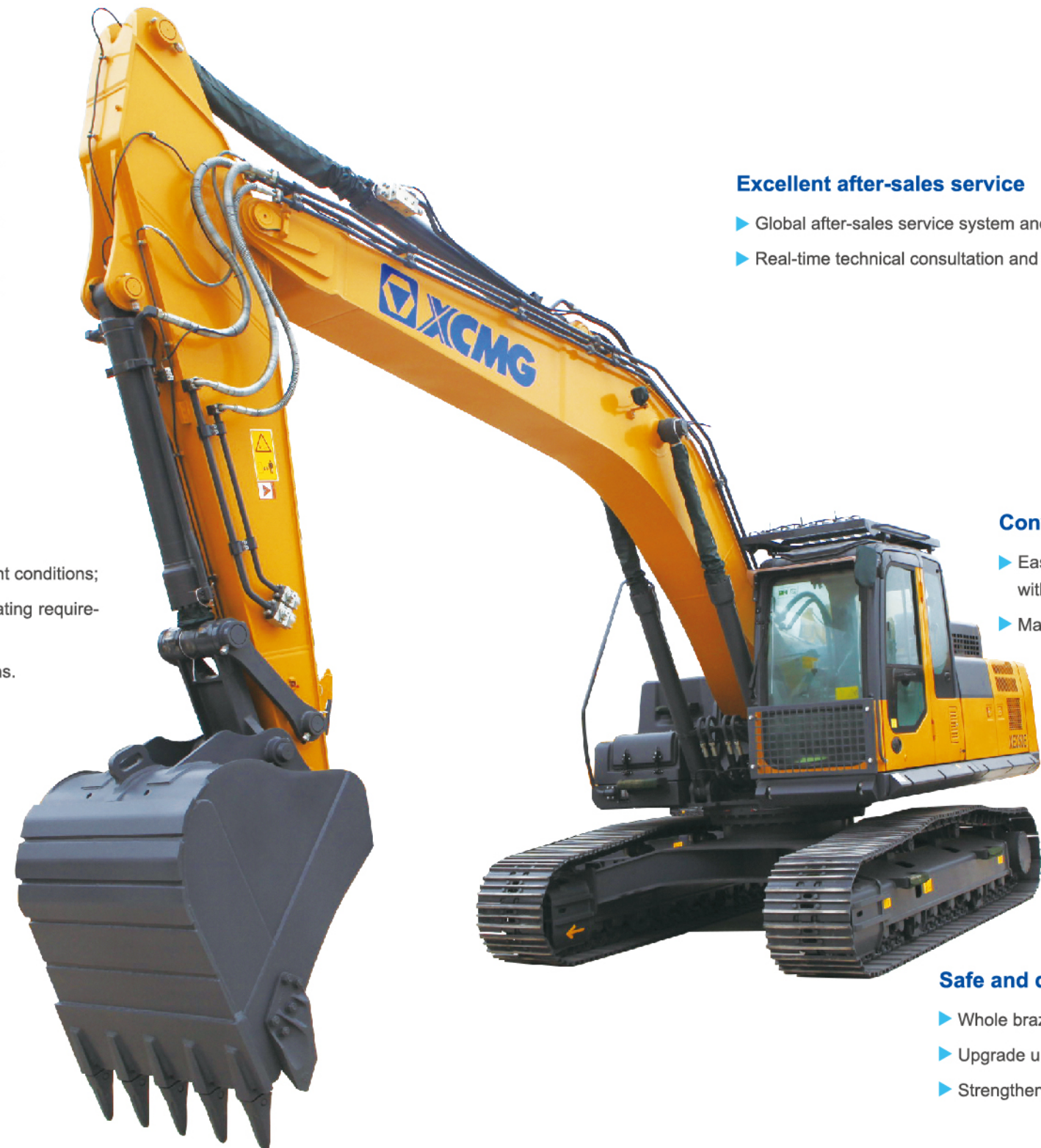
- ▶ High-power engine is more fuel saving
- ▶ New Japan Kawasaki main pump can ensure high efficiency and reduced leakage
- ▶ Efficiency main valve increases overflow pressure and reduces pressure loss
- ▶ Smart matching technology ensures higher operating efficiency and lower fuel consumption,

**Multiple applications**

- ▶ Variety of boom, stick and bucket matching to maximize utilization in different conditions;
- ▶ Multi-functional intelligent work tool control system can meet different operating requirements such as digging, breaking and dismantling
- ▶ Instantaneous pressurization function copes with complex working conditions.

**Comfortable operating experience**

- ▶ Air Conditioner and Heater with Double stage air filter ensure the appropriate temperature
- ▶ Silicone rubber shock absorber is adopted in the cab
- ▶ Air-suspending seat equipped with electric heating function
- ▶ Integrated control panel and large display screen provide multiple information
- ▶ ROPS and FOPS Cab can improve cab safety



**Excellent after-sales service**

- ▶ Global after-sales service system and quick response mechanism
- ▶ Real-time technical consultation and maintenance

**Convenient maintenance**

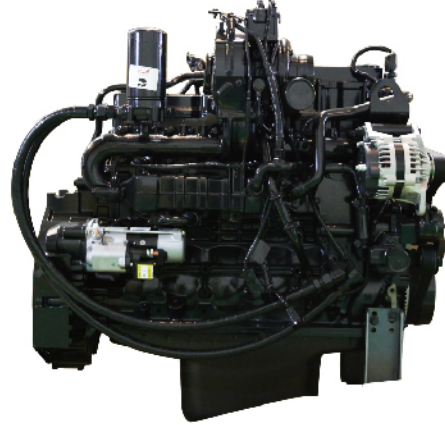
- ▶ Easy maintenance design concept makes your maintenance done without dead angle
- ▶ Maintenance-free air prefilter

**Safe and durable**

- ▶ Whole brazing technology improves lifespan
- ▶ Upgrade undercarriage structure to improve load bearing performance
- ▶ Strengthened key stress-bearing parts of chain links

## Ecological And Economical

- ▶ The whole machine adopts high-power engine that featuring with low speed, high torque and high-pressure injection, which can provide stronger power and better fuel economy performance and meet EPA Tier4F emission standards.
- ▶ New Japan Kawasaki main pump is fully upgraded with large displacement, which is 7% higher than that of the previous generation. It can ensure high efficiency and reduced leakage under the same pressure. Swashplate swing angle increases power density greatly.
- ▶ Equipped with new generation of high efficiency main valve with the functions of confluence and regeneration, the overflow pressure is increased, the pressure loss is smaller, and the working ability is more outstanding.
- ▶ Smart matching technology, the machine can achieve higher operating efficiency and lower fuel consumption, and its fuel efficiency ratio is ahead of the same tonnage models. After continuous optimization and improvement of the hydraulic system, the control performance is further strengthened, maneuverability is more refined, and leveling and loading performance is better.



## Comfortable And Safe

### Comfortable

- ▶ Air Conditioner and Heater with Double stage air filter: Indoor and outdoor environment temperature can be sensed through sensors and automatically adjusted to comfortable temperature. A good comfortable environment for operators can be provided with the cooperation of a multi-position adjustable air outlet.



- ▶ Silicone rubber shock absorber is adopted in the cab to reduce vibration and impact.
- ▶ Comfortable high-performance seats: air-suspending seats with electric heating functions can achieve multi-dimensional adjustment and isolation of vibration waves.
- ▶ A new generation instrument has an 8-inch large screen display (the largest one among the industry). The page layout is more detailed and the picture is clearer.



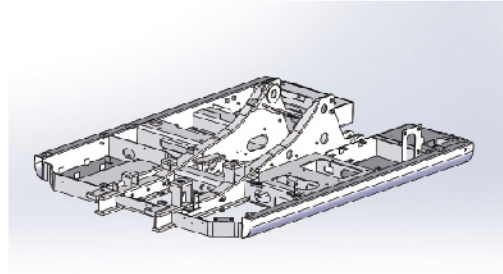
### Safe

- ▶ Optional ROPS and FOPS device and protective net can improve cab safety.
- ▶ The cab is structurally reinforced and the seat is equipped with safety belts
- ▶ Middle-position startup function can avoid mis-operation; standard equipped rear video function which improves operation safety; the monitor which will give audible and visual alarm when fault occurs; running alarm function.
- ▶ Equipped with fire extinguisher, safety escape hammer and anti-skid device



## Reliable And Durable

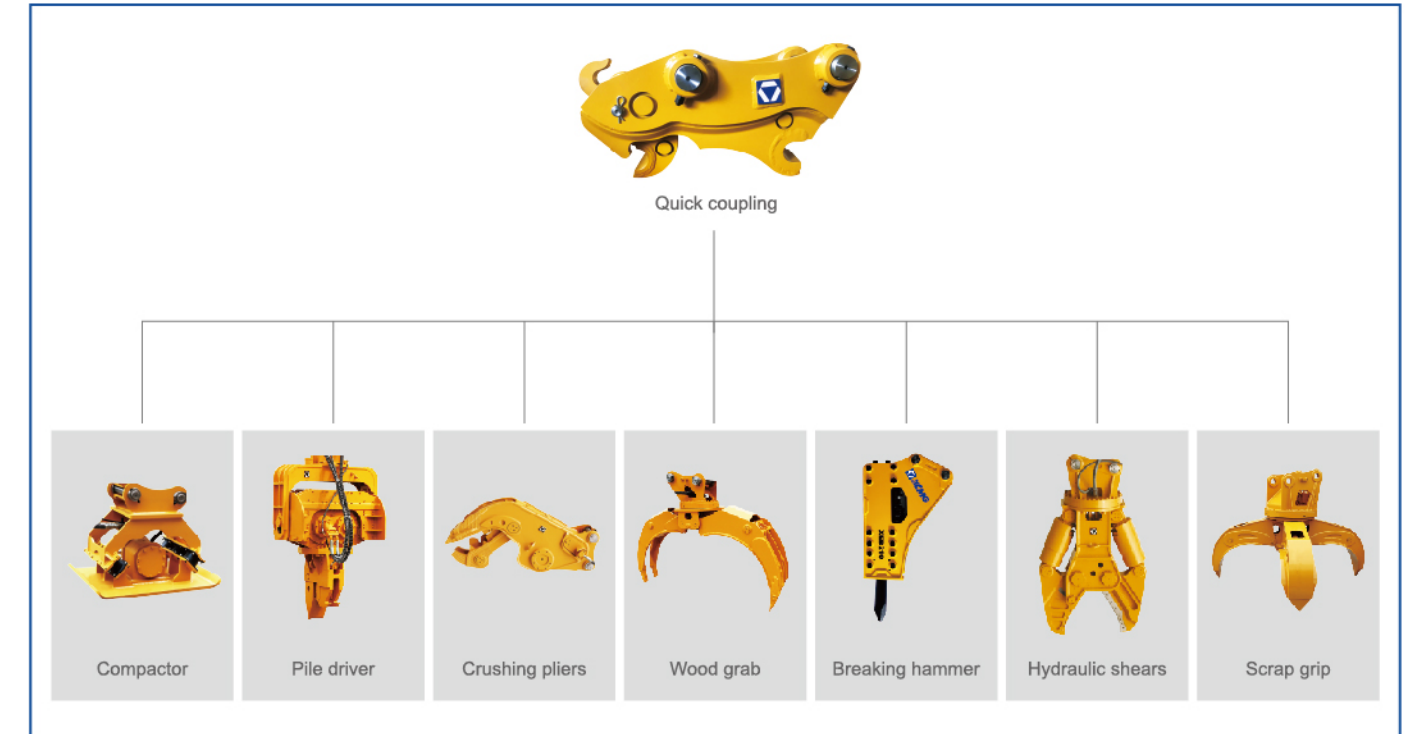
- ▶ Adopting whole brazing technology and new-type radiator welded by robots, and configuring positive pressure degassing type expansion tank, to improve the pump life, which can quickly remove the gas within engine and waterway, reduce the rust and meet 50℃ environmental operating requirements.
- ▶ The turntable adopts a rigid box structure to provide higher strength and improve the cab shock absorption ability. The engine mounting base structure is strengthened to improve shock absorption.
- ▶ With main body adopting I-beam rigid structure, the whole machine's strength is intensified, and the turntable side beam adopts the D-tube structure to improve its ability to resist external impact.
- ▶ The travelling mechanism adopts strengthened key parts of the chain rails bearing stress to improve the strength and impact resistance of the chain rails, and the service life of the track is greatly improved. With strengthened X-beam section, and the strength of the end face is greatly improved by increasing the size, thickness and structure of the box beam.
- ▶ The butter dish is changed from welding parts to integral stamping parts, which ensures the installation roundness of the sealing ring, prevents the sealing ring from wrinkling and improves the sealing performance. With strengthened X-beam section, and the strength of the end face is greatly improved by increasing the size, thickness and structure of the box beam.
- ▶ Replace the XCMG new second generation bucket to make the force more reasonable and increase the durability.
- ▶ Adopt the finite element analysis(FEA)and reinforce the key part of the boom and arm. Use the new type of shaft locking mode and increase the plate thickness. The arm has the regeneration function, which can fully improve the operation efficiency, coordination and stability of the whole machine.



## Multiple application conditions

- ▶ The independently developed multi-functional intelligent work tool control system can be widely used for irrigation and water conservancy, river dredging, municipal construction and small mine construction. It can meet different operating requirements such as digging, breaking and dismantling, and its working condition adaptability is further strengthened.
- ▶ The design has the function of instantaneous pressurization. By means of the pressurization button on the handle, the rising speed of the boom or the traction force of walking can be increased instantaneously, so as to cope with complex working conditions.

- ▶ The new control system uses CAN bus, the monitor is responsible for display, the controller is responsible for signal acquisition and output, and the bus connects with monitor, GPS controller, engine ECM, which can achieve faster data management and more efficient control.



## Maintenance And Service

- ▶ Accessible maintenance design reduces maintenance time by 10%, integrates electrical box, air filter, diesel filter, oil filter, pilot filter, and provides convenience to maintenance and replacement;
- ▶ Adopt maintenance-free air prefilter, which has self-cleaning function
- ▶ A wide range of after - sales service system, quick - response rescue mechanism to ensure that you use at ease



XE250E is suitable for medium volume earthwork working conditions. The larger flow of the main pump makes its hydraulic system very strong and can be matched with various operating tools. Finally, the XEICS intelligent control system, CAN bus, GPS controller and ECM engine management system are matched to improve data management efficiency and make operators more comfortable, safer and labor-saving. This excavator is mainly used in road and bridge, water conservancy, municipal construction, etc.



## Standard Equipment

	Name of equipment	XE250E
Engine	Engine model	QSB6.7
	Emission level	Euro IV
	Automatic preheating	
	Oil-water separator with water level indication sensor	
	Radial seal air cleaner	
	Air prefilter	
	50°C high temperature ambient cooling assembly	
	Radiator dust screen	
	Fuel marker	
	Oil-water quick release device	
	Electronically controlled silicone oil clutch	
	Fuel filling pump 50L / min	
	Fuel breather valve	
	Air pressure difference indicator	
	Automatic idle speed	
Hydraulic system	Boom/arm flow regeneration	
	Auxiliary hydraulic valve	
	Reverse rotation damping valve	
	Automatic rotation parking brake	
	Hydraulic buffer valve	
	Straight hydraulic circuit	
	Boom priority valve	
	Rotary logic valve	
	Hydraulic oil ISO VG 46	
	Hydraulic pipeline: breaking hammer and thumb clamp	
Operation mode switching		

Hydraulic system	Rotary anti-sway valve
	Spare valve plate
Cab and interior trim	Gauge pressure monitoring
	Pressurized cab
	Fully adjustable mechanical suspension seat
	Air suspension seat with cushion heating
	Adjustable seat armrest
	Seat belt (51 mm [2 "] wide)
	Openable windscreen with auxiliary device
	Front windshield divided by 70/30 ratio
	Double laminated windshield and other toughened windows
	Sliding door upper window
	Bi-directional air outlet air conditioner with defroster (automatic type) (pressurization function)
	Color liquid crystal display capable of displaying warning information, filter / liquid replacement information and working hours
	Control handle
	Travel control pedal with detachable manual control lever
	Two stereo speakers
Beverage cup holder	
Coat and hat hook	
Cleanable floor mat	
Air conditioning system	
High and low gears shift	
One-key boost mode	
Reserve switch for working aids	
Electric sunshade curtain	
Top sunroof	
Intermittent multi-gear wiper	
Cup holder/envelope	

Cab and interior trim	Cold and warm storage box
	Radio receiver
	Driving door locks and cabin locks
	Alarm horn
	Isolation plate between engine and oil pump chamber
	Engine Emergency Stop Switch
Safety and security configuration	Rear window emergency exit
	Battery circuit breaker
	Boom and arm retaining valve
	Explosion-proof valve for boom pipeline
	Overheat alarm
	Safety handrails and pedals
	Rotary alarm lamp
	Anti-skid plate/anti-skid paste
	Hydraulic safety locking lever
	Emergency escape hammer
	Left and right rearview mirrors
	Counterweight rearview mirror
Chassis system and shield	Bottom frame traction ring
	600 mm (24 ") three-rib track shoe
	Protective device kit: chassis bottom sealing plate, walking motor sealing plate
	Track double rail protector
Working device	Boom
	Arm 2.964 m
	Bucket 1.2M3 Strengthened Bucket
Electrical system	Arm 2.5 m
	Battery (2× 850CCA)

Electrical system	70A alternator
	7.8 kW starter motor
	Travel alarm
	12V cigarette lighter
Lighting lamp	Camera
	5V USB interface
	Right and left boom work lights
Counterweight	Right working light installed on storage box
	Cab interior lighting
Technology	5.4 t counterweight
	XEICS intelligent control system
	Data link socket

### Optional Equipment

	Name of equipment	XE250E
Engine	Oil-water separator with heater (24V)	
	Oil bath type air prefilter	
	Coolant heater (fuel type)	
Hydraulic system	Rapid fuel filling system	
	Hydraulic oil ISO VG 32, 68	
Cab and interior trim	Retractable seat belt (51 mm [ 2 " ] wide)	
	Vehicle mounted oxygen supply device	
Chassis system and shield	Fire extinguisher	
	Explosion-proof valve for arm pipeline	
	Roll over protective structure (ROPS)	
Chassis system and shield	Falling object protective structure (FOPS)	
	Track single rail protector	

Chassis system and shield	230 mm (24 ") double-rib track shoe
	700 mm (28 ") three-rib track shoe
	800 mm (31 ") double-rib track shoe
	600 mm (24 ") three-rib track shoe
	800 mm (31 ") three-rib track shoe
	Track rubber block
	Full-length track guard ( two-piece, lower frame needs to be replaced )
Working device	0.9m <sup>3</sup> rock bucket
	1.3m <sup>3</sup> earthwork bucket
	Quick coupler
	Hydraulic breaker
	Hydraulic thumb pliers
	Ripper
	Vibratory plate compactor
	Hydraulic shear
	Grapples
	High frequency crusher
	Clamshell bucket
	Scrap grapple
	Screening bucket
	Pipe grab
Electrical system	24V cigarette lighter
	12V power interface
Lighting lamp	Front working light installed on cab top
	Rear working light installed on cab top
Counterweight	200 kg auxiliary counterweight
Lubrication system	Electric self-lubricating system
	Arm concentration

### Main Specifications

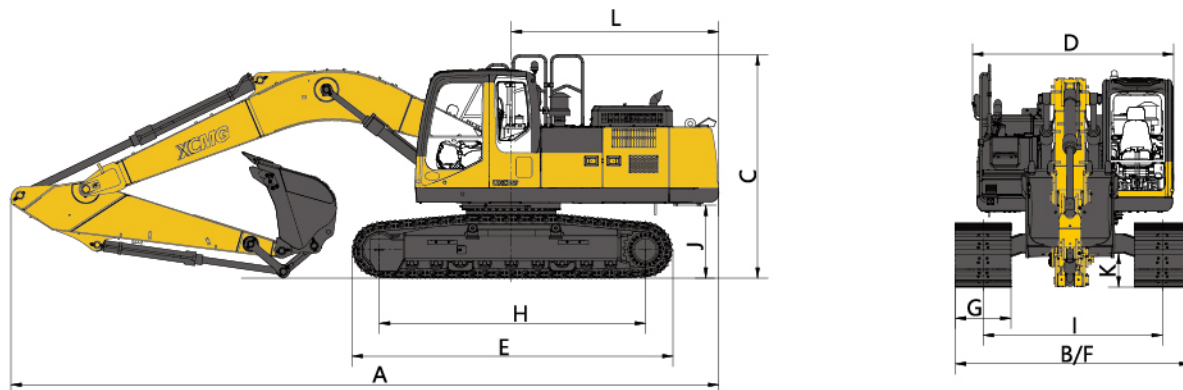
Item	unit	Main specifications
Model	/	XE250E
Operation weight	Kg	21000-23000
Bucket capacity	m <sup>3</sup>	0.8-1.2
Engine	Model	/
	Electronic injection	/
	Four strokes	/
	Water cooling	/
	Turbocharging	/
	Air-to-air intercooler	/
	No.of cylinders	/
	Rated power	kw/rpm
	Maximum torque/speed	N.m/rpm
	Displacement	L
Main performance	Travel speed (H/L)	km/h
	Swing speed	r/min
	Gradeability	°
	Ground pressure	kPa
	Bucket digging force	kN
	Arm digging force	kN
	Maximum tractive force	kN
	Main pump	/
	Rated flow of main pump	L/min
	Main safety valve pressure	MPa
Hydraulic system	Travel system pressure	MPa
	Swing system pressure	MPa
	Pilot system pressure	MPa



Item	unit	Main specifications
Oil Capacity	Fuel tank capacity	L 400
	Hydraulic tank capacity	L 256
	Engine oil capacity	L 24
Standard	Length of boom	mm 6000
	Length of arm	mm 2960
	Bucket capacity	m <sup>3</sup> 1.2
Standard	Length of arm	mm 2500
	Bucket capacity	m <sup>3</sup> 1.4Earthwork bucket

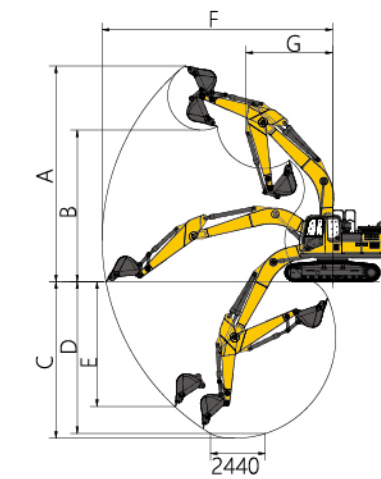
## Dimensions

Item	Unit	Parameters
A Overall length	mm	10220
B Overall width	mm	2990
C Overall height	mm	3226
D Width of platform	mm	2830
E Track length	mm	4640
Apperance size	F Total Width of Chassis	mm 2990
	G Track shoe width	mm 600
H Crawler base	mm	3842
I Track Gauge	mm	2390
J Counterweight Clearance	mm	1053
K Minimum Ground Clearance	mm	485
L Minimum Tail Swing Radius	mm	2985
M Track Height	mm	935



## Working Range

Item	Unit	Parameters
A Max. digging height	mm	9595
B Max. dumping height	mm	6745
C Max. digging depth	mm	6960
Working scope	D Maximum depth cut for 2240mm(8 ft) level bottom	mm 6750
	E Maximum vertical wall digging depth	mm 5545
F Max. digging radius	mm	6750
G Min. swing radius	mm	3850



## Lifting Capacity

Lifting point height (m)	Rated lift capacity – Straight ahead (back) (kg)					Rated lift capacity – over-side (kg)						
	Lifting point radius (m)					Lifting capacity at maximum radius	Lifting point radius (m)					Lifting capacity at maximum radius
	1.5	3	4.5	6	7.5		1.5	3	4.5	6	7.5	
7.5						*5813						5141
6				*5754	*5781	*5700				*5754	4199	4004
4.5				*6502	5885	5003				5809	4117	3440
3			*9895	*7573	5718	4610			8259	5476	3962	3147
1.5			11851	7654	5544	4467			7617	5159	3800	3029
Ground			11484	7416	5413	4546			7301	4943	3678	3064
-1.5		*10339	11394	7314	5360	4894		*10339	7223	4851	3629	3281
-3	*11974	*17053	11483	7348		5708	*11974	14219	7300	4881		3802
-4.5		*14495	*10515			7753		*14495	7536			5082

Capacities marked with an asterisk(\*) are limited by hydraulic capacities.